



NEPTUNE
CONTEMPORARY AND TRADITIONAL STREET FURNITURE

Tree Benches and Tree Seats Brochure

Head Office: Neptune Street Furniture, Time House, 19 Hillsons Road, Botley, Hampshire, SO30 2DY
Phone: 01962 777799 - **Fax:** 01962 777723
Email: enquiries@nofl.co.uk - **Website:** www.nofl.co.uk



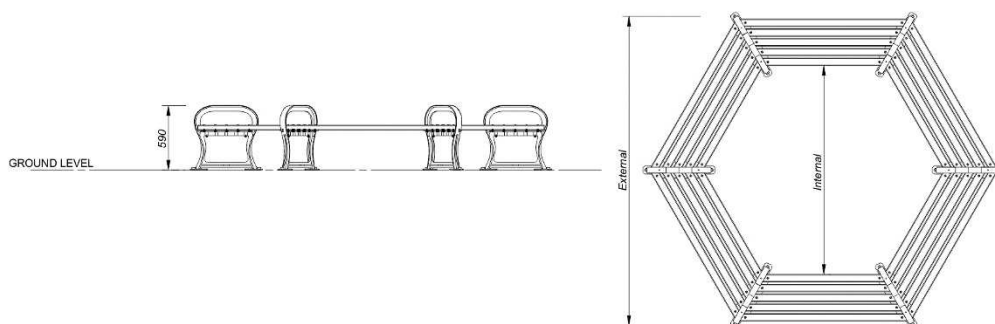
NEPTUNE

CONTEMPORARY AND TRADITIONAL STREET FURNITURE



Avenue Hexagonal Tree Bench

Our Avenue range of street furniture is based around our traditional Cast Iron seat and bench ends complimented with either 45 x 70mm hardwood or heavy duty painted mild steel. As standard our Avenue range is supplied in Black but it can be finished in any standard BS or RAL colour.



Dimensions External width: 1840, Internal: 1000mm (sizes are approximate)
 External width: 2340, Internal: 1500mm (sizes are approximate)
 External width: 2840, Internal: 2000mm (sizes are approximate)

Metal All metalwork is finished with an exterior grade base and top coat to either RAL 9005 (black) or RAL 6005 (green) as standard or to virtually any BS or RAL reference if required

Wood All woodwork is treated with an exterior grade base coat and two top coats achieving a colour similar to RAL 8001

Fixing Above ground fixing. Fixings can be supplied

Delivery Each bench is supplied flat packed and delivered on a pallet

Head Office: Neptune Street Furniture, Time House, 19 Hillsons Road, Botley, Hampshire, SO30 2DY

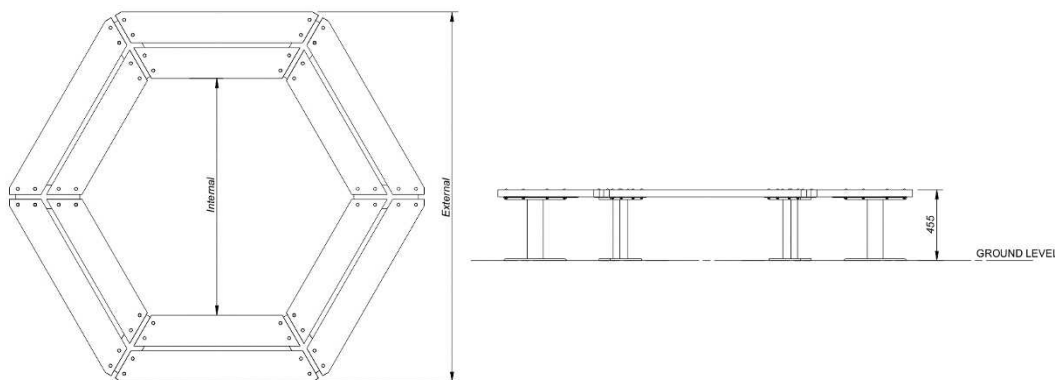
Phone: 01962 777799 - **Fax:** 01962 777723

Email: enquiries@nofl.co.uk - **Website:** www.nofl.co.uk



Beaufort Hexagonal Tree Bench

Our Beaufort street furniture range is built around heavy section steel frames with a powder coat finish combined with 45 x 195mm hardwood.



Dimensions External width: 1590, Internal: 750mm (sizes are approximate)
 External width: 1840, Internal: 1000mm (sizes are approximate)
 External width: 2340, Internal: 1500mm (sizes are approximate)
 External width: 2840, Internal: 2000mm (sizes are approximate)

Metal All metalwork is finished with an exterior grade base and top coat to either RAL 9005 (black) or RAL 6005 (green) as standard or to virtually any BS or RAL reference if required

Wood All woodwork is treated with an exterior grade base coat and two top coats achieving a colour similar to RAL 8001

Fixing Above and below ground fixing options available for hard and soft ground. Fixings can be supplied

Delivery Each bench is supplied flat packed and delivered on a pallet

Head Office: Neptune Street Furniture, Time House, 19 Hillsons Road, Botley, Hampshire, SO30 2DY

Phone: 01962 777799 - **Fax:** 01962 777723

Email: enquiries@nofl.co.uk - **Website:** www.nofl.co.uk



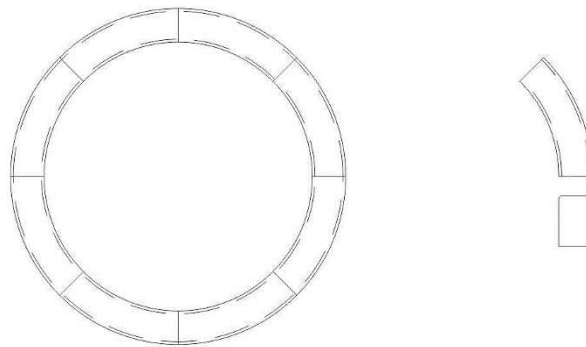
NEPTUNE

CONTEMPORARY AND TRADITIONAL STREET FURNITURE



Lincoln Curved Tree Bench

Lincoln range of street furniture is cast in concrete and finished in smooth white as standard. Each component is produced with a returned bottom lip which creates a beautiful shadowed edge.



Dimensions	Internal diameter 2400mm, External Diameter 3000mm
Concrete	Finished in smooth white
Fixing	Below ground fixing
Delivery	Each segment is delivered on a pallet

Head Office: Neptune Street Furniture, Time House, 19 Hillsons Road, Botley, Hampshire, SO30 2DY
Phone: 01962 777799 - **Fax:** 01962 777723
Email: enquiries@neptunestreetfurniture.co.uk - **Website:** www.neptunestreetfurniture.co.uk



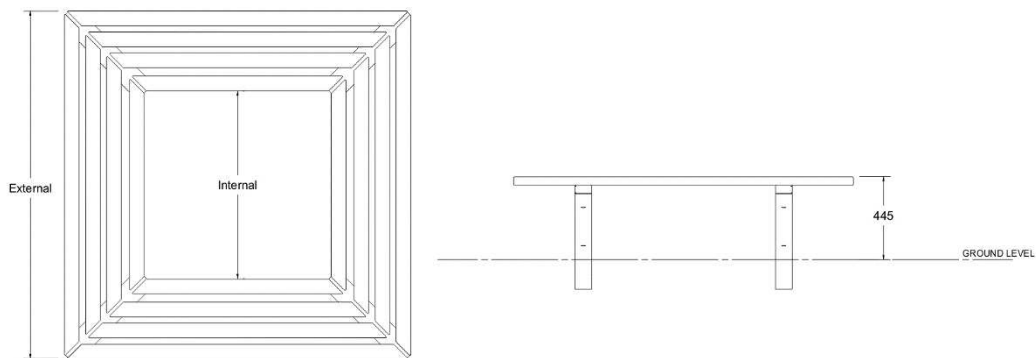
NEPTUNE

CONTEMPORARY AND TRADITIONAL STREET FURNITURE



Southampton Square Tree Bench

Our traditional style Southampton street furniture range is produced with a combination of exposed aggregate concrete and 45 x 70mm hardwood. Where required concrete products can be finished in a range of colours or with smooth surfaces.



Dimensions External width: 1840, Internal: 1000mm (sizes are approximate)

External width: 2340, Internal: 1500mm (sizes are approximate)

Concrete All concrete is supplied with an exposed aggregate surface finished with an acid wash producing a slight shine

Wood All woodwork is treated with an exterior grade base coat and two top coats achieving a colour similar to RAL 8001

Fixing Above and below ground fixing options available for hard and soft ground. Fixings can be supplied

Delivery Each bench is supplied flat packed and delivered on a pallet

Head Office: Neptune Street Furniture, Time House, 19 Hillsons Road, Botley, Hampshire, SO30 2DY

Phone: 01962 777799 - **Fax:** 01962 777723

Email: enquiries@nofl.co.uk - **Website:** www.nofl.co.uk



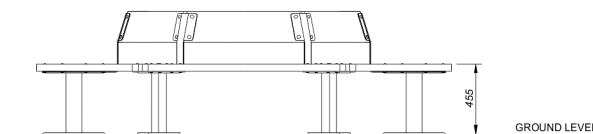
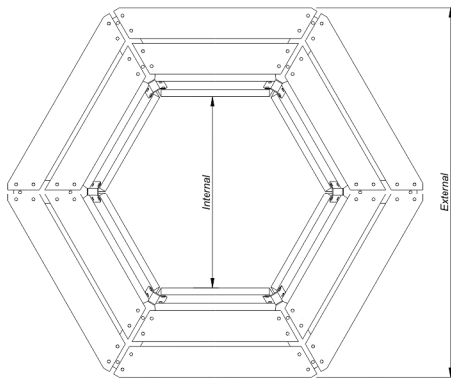
NEPTUNE

CONTEMPORARY AND TRADITIONAL STREET FURNITURE



Beaufort Hexagonal Tree Seat

Our Beaufort street furniture range is built around heavy section steel frames with a powder coat finish combined with 45 x 195mm hardwood.



- Dimensions** External width: 1840, Internal: 720mm (sizes are approximate)
 External width: 2340, Internal: 1220mm (sizes are approximate)
 External width: 2840, Internal: 1720mm (sizes are approximate)
- Metal** All metalwork is finished with an exterior grade base and top coat to either RAL 9005 (black) or RAL 6005 (green) as standard or to virtually any BS or RAL reference if required
- Wood** All woodwork is treated with an exterior grade base coat and two top coats achieving a colour similar to RAL 8001
- Fixing** Above and below ground fixing options available for hard and soft ground. Fixings can be supplied
- Delivery** Each seat is supplied flat packed and delivered on a pallet

Head Office: Neptune Street Furniture, Time House, 19 Hillsons Road, Botley, Hampshire, SO30 2DY
Phone: 01962 777799 - **Fax:** 01962 777723
Email: enquiries@nofl.co.uk - **Website:** www.nofl.co.uk